


Male Closing Plugs	PLG Series
CERTIFICATE 	ECM 18 ATEX 3845 U
EX CODE	II 2G Ex db IIC Gb/II 2D Ex tb IIIC Db
DIRECTIVE	2014/34/EU
STANDARD	EN 60079-0/A11:2013, EN 60079-1:2014, EN 60529/A2:2013
INSTALLATION	zone 1 – 2 – 21 - 22

### CONSTRUCTION

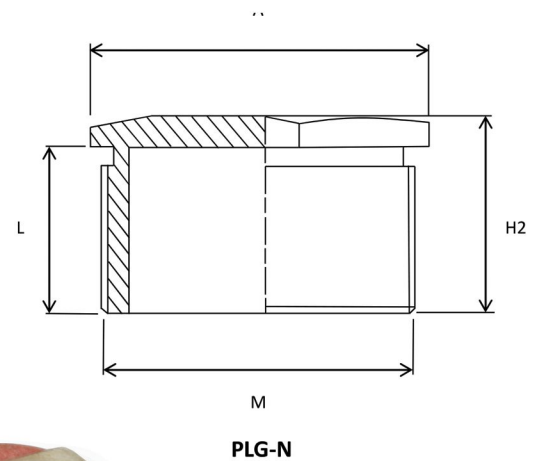
With rabbeted hexagon for plugs with tapered thread,  
With external hexagon for plug with cylindrical thread .

### FEATURES


PLG series plugs are used to close the unused entries. They have an Hexagonal head so that they can be opened with proper tools only.

### ACCESSORIES UPON REQUEST

Other thread .  
Other materials .



Code	Size (MM)	Dimensions		
		A	L	H2
PLG -1M	M20	25	15	21
PLG -2M	M25	32	15	21
PLG -3M	M32	36	15	21
PLG -4M	M40	45	15	21
PLG -5M	M50	55	15	21
PLG -6M	M63	70	15	21
PLG -7M	M75	80	15	21
PLG -8M	M90	100	15	21

Male Closing Plugs	PLG Series
CERTIFICATE 	ECM 18 ATEX 3845 U
EX CODE	II 2G Ex db IIC Gb/II 2D Ex tb IIIC Db
DIRECTIVE	2014/34/EU
STANDARD	EN 60079-0/A11:2013, EN 60079-1:2014, EN 60529/A2:2013
INSTALLATION	zone 1 – 2 – 21 - 22

### CONSTRUCTION

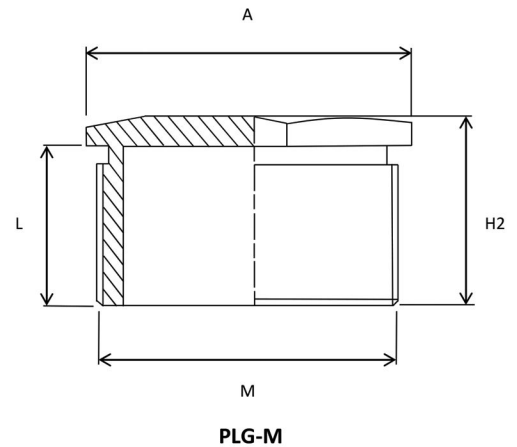
With rabbeted hexagon for plugs with tapered thread,  
With external hexagon for plug with cylindrical thread .

### FEATURES

PLG series plugs are used to close the unused entries. They have an Hexagonal head so that they can be opened with proper tools only.

### ACCESSORIES UPON REQUEST

- Other thread .
- Other materials .



Code	Size (NPT)	Dimensions		
		A	L	H2
PLG-1N	1/2"	25	17	23
PLG -2N	3/4"	30	17	23
PLG -3N	1"	36	19	25
PLG -4N	1 1/4"	45	19	25
PLG -5N	1 1/2"	55	19	25
PLG -6N	2"	70	19	25
PLG -7N	2 1/2"	80	25	31
PLG -8N	3"	95	25	31