
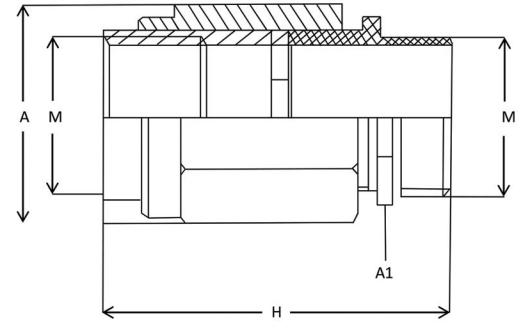


Three Pieces Unions	UMF Series
CERTIFICATE 	ECM 18 ATEX 3845 U
EX CODE	II 2G Ex db IIC Gb/II 2D Ex tb IIIC Db
DIRECTIVE	2014/34/EU
STANDARD	EN 60079-0/A11:2013, EN 60079-1:2014, EN 60529/A2:2013
INSTALLATION	zone 1 – 2 – 21 - 22

CONSTRUCTION

Galvanized steel.
METRICE thread.

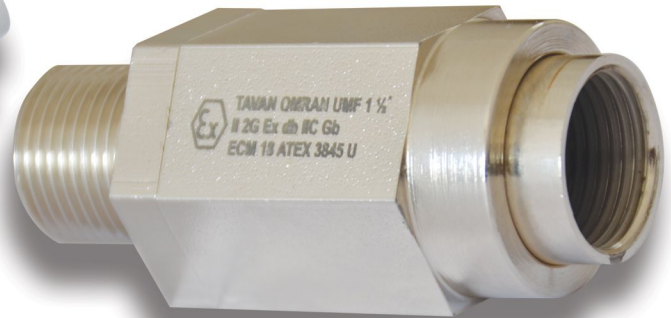
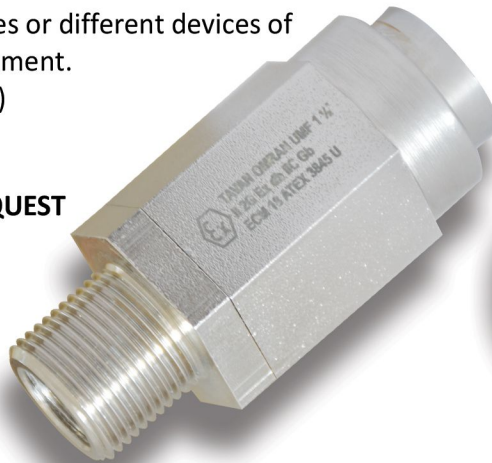


FEATURES

Three pieces unions for gas group IIC enable an independent rotation and the connection between pipes of an electrical equipment and enclosures or different devices of an explosion-proof equipment.
Umf series (male/female)

ACCESSORIES UPON REQUEST

Other threads.
Other material.



Code	Size (MM)	Dimensions		
		M	H	A
UMF-1M	M20	74	30	30
UMF -2M	M25	74	37	37
UMF -3M	M32	74	45	45
UMF -4M	M40	74	55	55
UMF -5M	M50	74	70	70
UMF -6M	M63	74	85	85
UMF -7M	M75	74	100	100
UMF -8M	M90	74	115	115

Three Pieces Unions

UMF Series

CERTIFICATE



ECM 18 ATEX 3845 U

EX CODE

II 2G Ex db IIC Gb/II 2D Ex tb IIIC Db

DIRECTIVE

2014/34/EU

STANDARD

EN 60079-0/A11:2013, EN 60079-1:2014, EN 60529/A2:2013

INSTALLATION

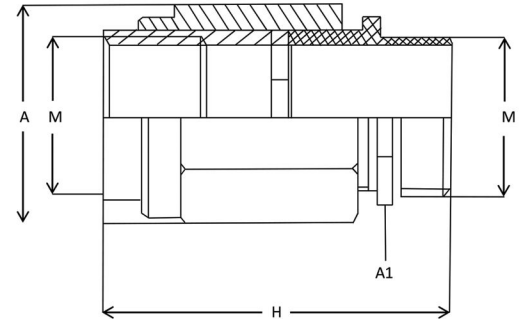
zone 1 – 2 – 21 - 22

CONSTRUCTION

Galvanized steel.
NPT thread.

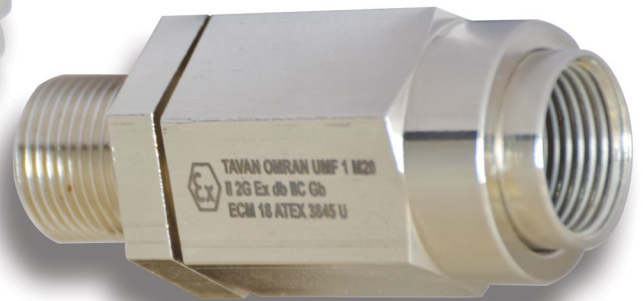
FEATURES

Three pieces unions for gas group IIC enable an independent rotation and the connection between pipes of an electrical equipment and enclosures or different devices of an explosion-proof equipment. Umf series (male/female)



ACCESSORIES UPON REQUEST

Other threads.
Other material.



Code	Size (NPT)	Dimensions		
		H	A	A1
UMF-1N	1/2"	74	30	30
UMF -2N	3/4"	74	37	37
UMF -3N	1"	74	45	45
UMF -4N	1 1/4"	74	55	55
UMF -5N	1 1/2"	74	70	70
UMF -6N	2"	74	85	85
UMF -7N	2 1/2"	74	100	100
UMF -8N	3"	74	115	115