

Explosion Proof Junction Box

EJB Series

CERTIFICATE



ECM 19 ATEX 5473 X

EX CODE

II 2G Ex db IIB+H2 T6,T5,T4 Gb

II 2D Ex tb IIIC T85°C,T100°C,T135°C Db

DIRECTIVE

2014/34/EU

STANDARD

EN 60079-0:2018, EN 60079-1:2014, EN 60079-31:2014,EN

INSTALLATION

zone 1 – 2 – 21 - 22

IP

66

FEATURES

EJB series junction boxes are used either as junction boxes with/without Terminals or for installation of electrical equipment such as circuit breakers, Signal, disconnectors, remote control switches, transformers, etc...Boxes With an un ribbed lid can set up more operators than boxes with an ribbed lid Thanks to a greater width, Body and cover can be drilled and threaded according To customers specification.
In accordance with rules, Tavanomran only can perform the drilling.

CONSTRUCTION

- Body aluminum alloy.
- Stainless steel cover bolts.
- Internal/external earth screws.
- On request coating.
- Galvanized steel mounting straps.
- Silicon gasket.

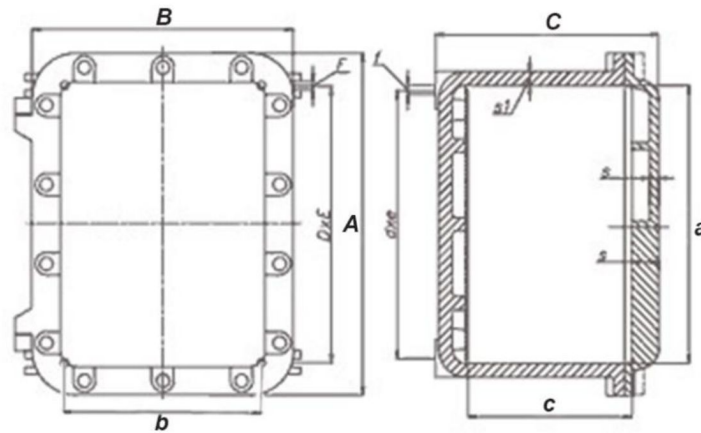
ACCESSORIES UPON REQUEST

- Mounting plate.
- Internal anti condensation coating.
- Drain and breather valve.



Dimensions (mm)

Code	Outside			Inside			Weight
	A	B	C	a	b	c	Kg
EJB-1A	304	204	218	240	140	160	10
EJB-2A	364	284	278	300	220	214	17
EJB-3A	432	332	229	360	260	163	25
EJB-4A	567	387	298	490	305	210	36
EJB-5A	632	432	341	560	360	256	50
EJB-6A	870	650	480	760	540	353	159
EJB-7A	1000	700	500	890	590	340	250
EJB-1B	345	205	175	281	150	117	11
EJB-2B	425	325	230	361	253	164	26
EJB-3B	475	375	240	411	303	165	29
EJB-4B	575	430	245	511	358	170	44
EJB-5B	655	455	280	591	383	205	52
EJB-6B	850	650	400	786	578	325	160
EJB-7B	1000	700	400	890	590	325	210



M-Series control, monitoring and signalling devices



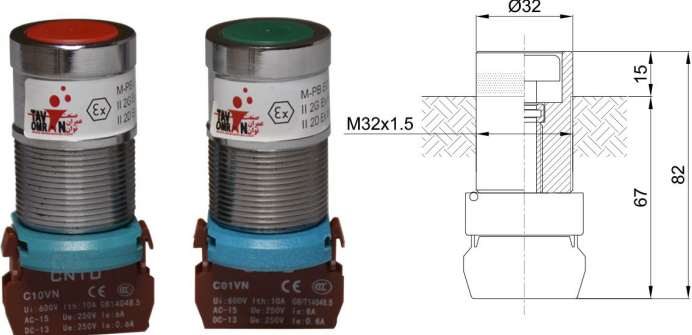
M-Series control, monitoring and signalling devices are installed as external accessories on Perex 'Ex d' enclosures used in any industrial environment where an explosive atmosphere may be present, classified as Zone 1, 2, 21, 22. M-Series control devices can be used to close or open electrical or mechanical devices fitted inside the 'Ex d' enclosures while the signalling devices feature lights to indicate their operating status. The control and signalling devices components are brass/aluminium to deliver unbeatable efficiency under any environmental conditions. Levers are made from aluminium while the plastic parts on push-buttons are designed to provide lengthy service life even when used in a highly corrosive atmosphere. M-Series control and signalling devices have an IP66 protection degree.

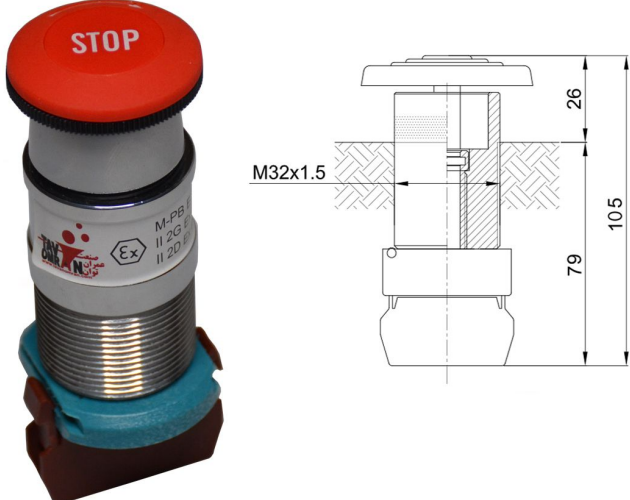
CERTIFICATION DATA FOR CONTROL DEVICES

Classification:	Group II	Category 2GD
Installation: EN 60079.14	zone 1 - zone 2 (Gas)	zone 21 - zone 22 (Dust)
Marking:	CE 0722 Ex II 2G Ex db IIB+H2 T6, T5, T4 Gb	
	CE 0722 Ex II 2D Ex tb IIIC T85°C, T100°C, T135°C Db	
Certification:	ATEX ECM 19 ATEX 5473 X	
Standards:	EN 60079-0:2018, EN 60079-1:2014, EN 60079-31:2014, EN	
Degree of protection:	IP66	


MECHANICAL FEATURE OF CONTROL DEVICES

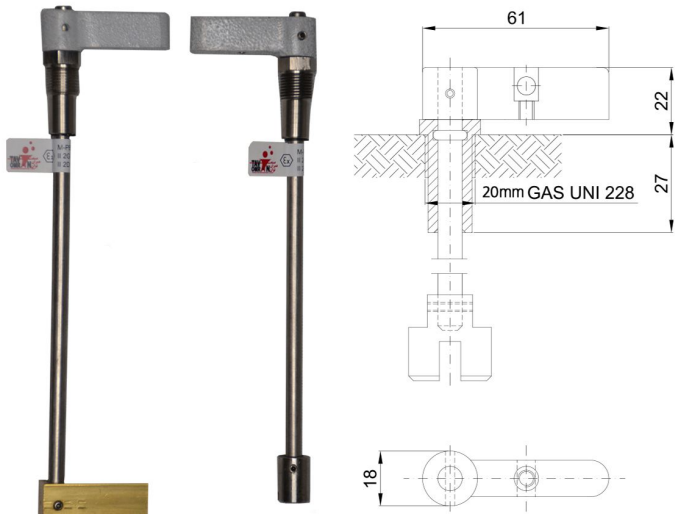
Outer body:	Aluminium / Brass
Internal bush:	Stainless steel / Brass
Internal pin:	Stainless steel / Brass
Gaskets:	silicone / Epdm
Push-button:	Coloured nylon
Contact mounting:	Snaps onto special flange, which assures quick connection of the whole contact block to the device
Handle levers:	Aluminium
Coating:	Epoxy coating RAL 7035 / Other color
Rated voltage:	600V
Rated current:	10A
Impulse withstand voltage:	4kV
Insulation category:	Group IIB + H2

	DIMENSIONS mm	DESCRIPTION	CODE
		Normal push-button with standard Button comes in choice of tow colours.	
		RED	M-PB
		GREEN	M-PB

	DIMENSIONS mm	DESCRIPTION	CODE
		Emergency stop mushroom-head push-button with standard contacts 10A 600V 1NO+1NC. Comprises a red mushroom head push-button.	M-EP

M-Series Control, monitoring and signalling devices

DIMENSIONS mm	DESCRIPTION	CODE
	<p>Key-to-release emergency stop push-button with standard 10A 600V contacts. Comprises a red button with key mechanism for push-button release (use key to release when button is pressed)</p>	M-KP

DIMENSIONS mm	DESCRIPTION	CODE
	<p>Padlockable handle for special switches (3RV motor protectors) Fixed Variable pin length</p>	M-RS

DIMENSIONS mm	DESCRIPTION	CODE
	<p>Indicator light lamps. 12/240 Vac/dc. (on request*) comes in choice of five colours.</p>	
	Blue	M-SL
	Yellow	M-SL
	Red	M-SL
	Green	M-SL
	White	M-SL
	lamp	12V 24V 110V 240V

M32-Installation